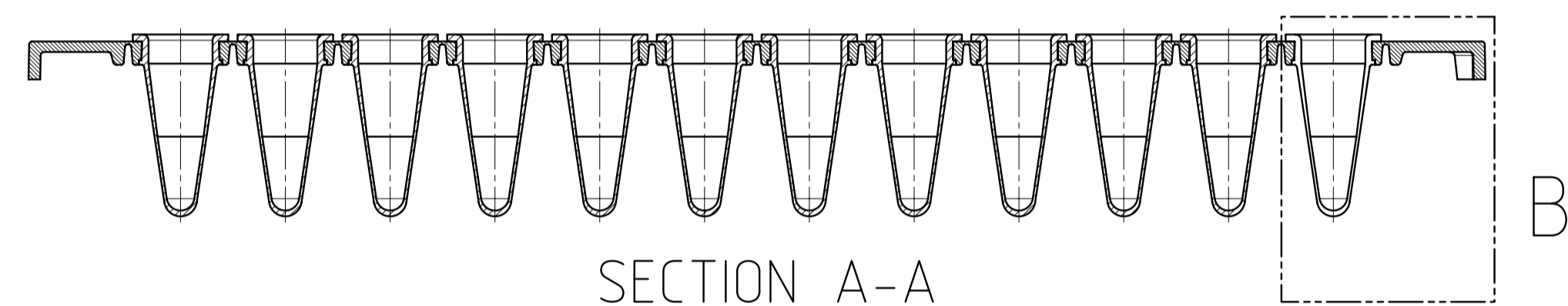
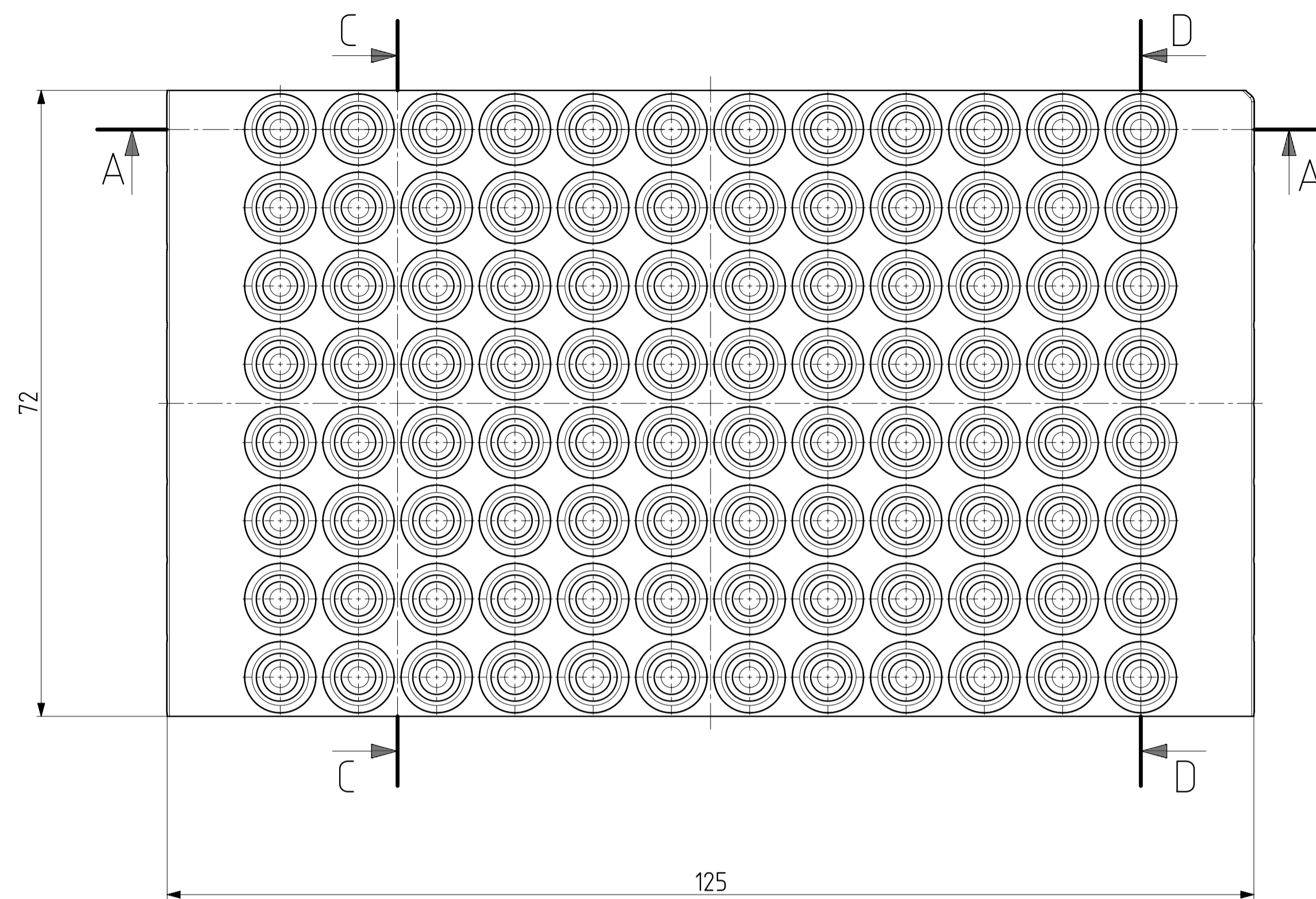


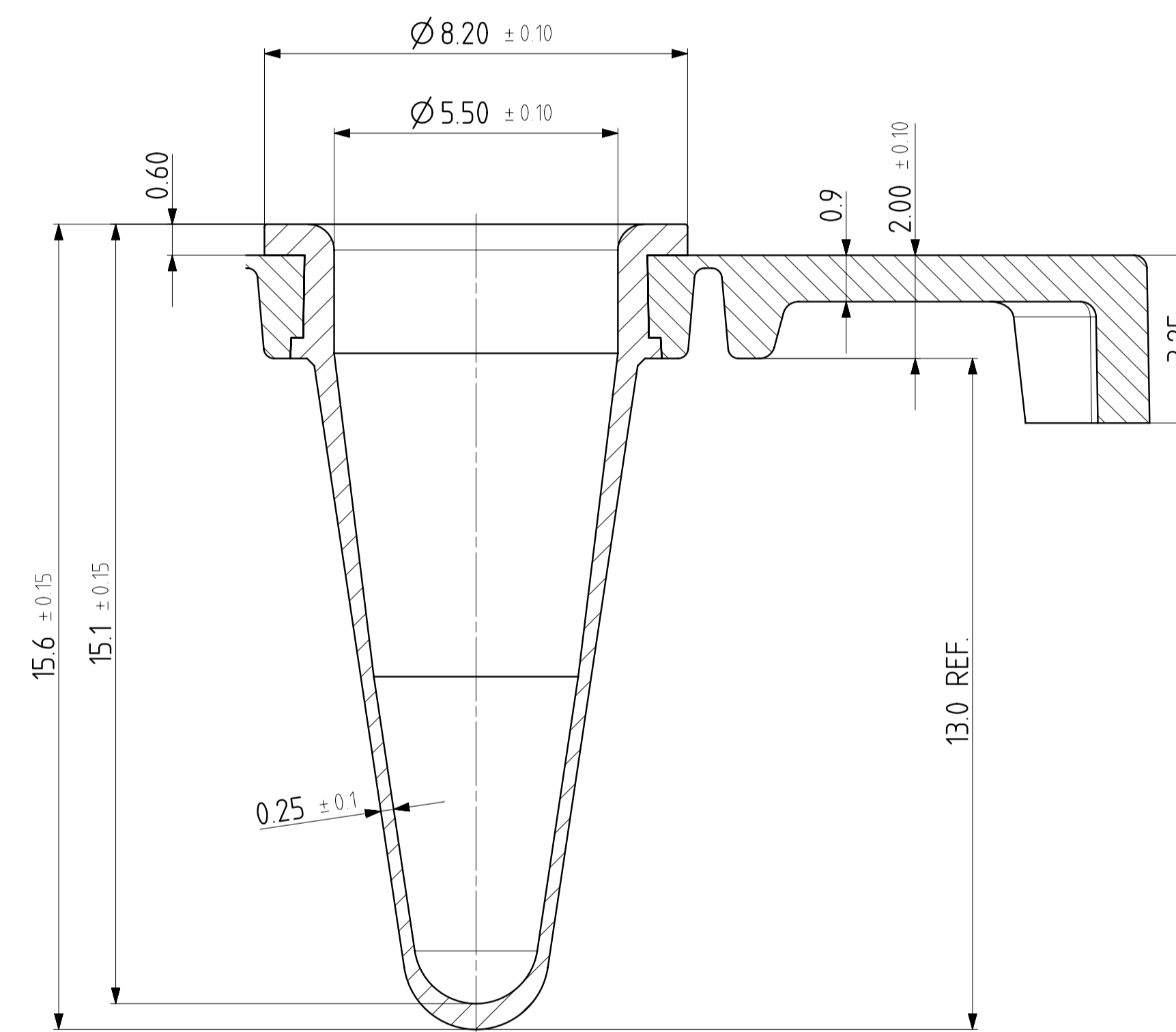
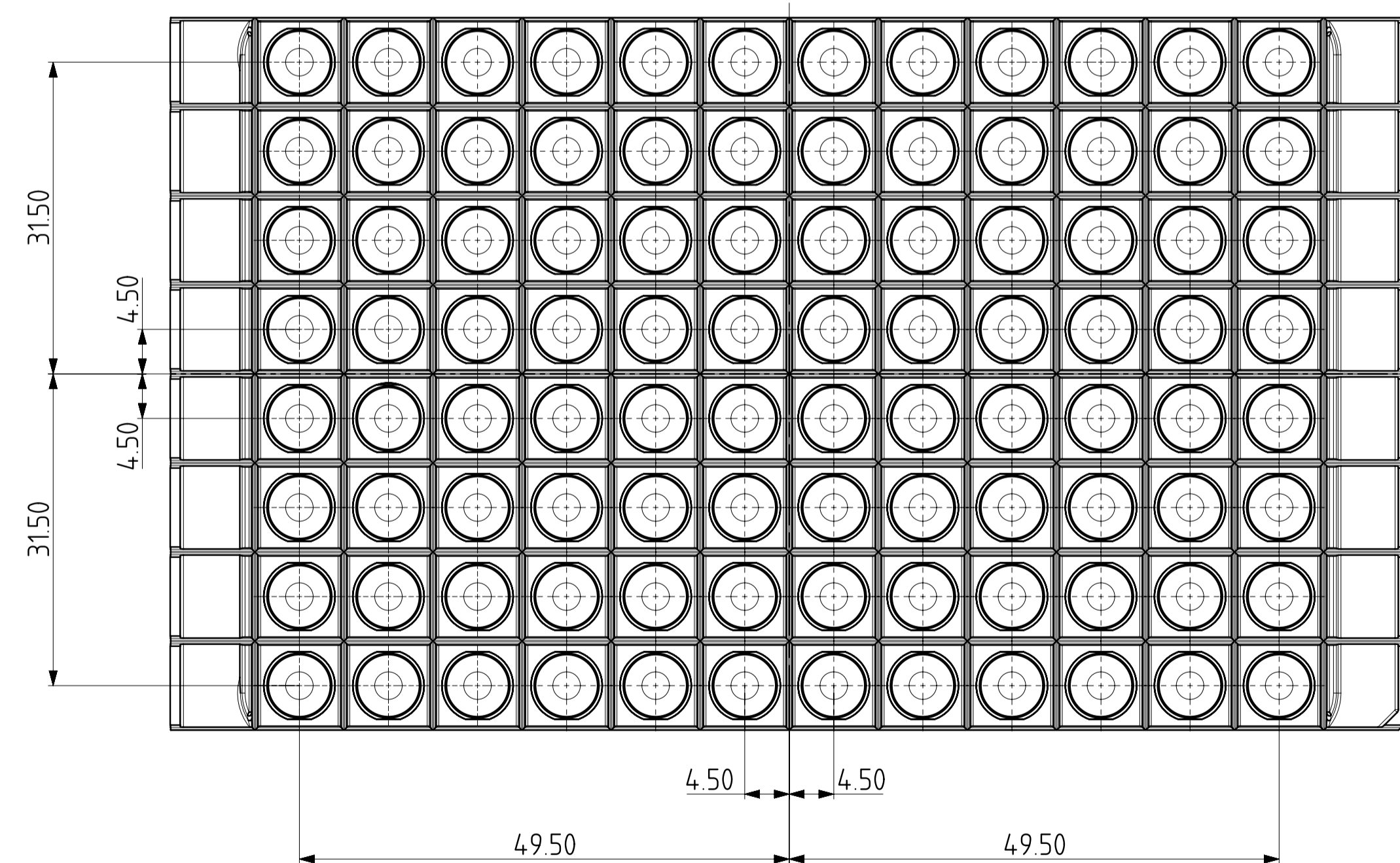
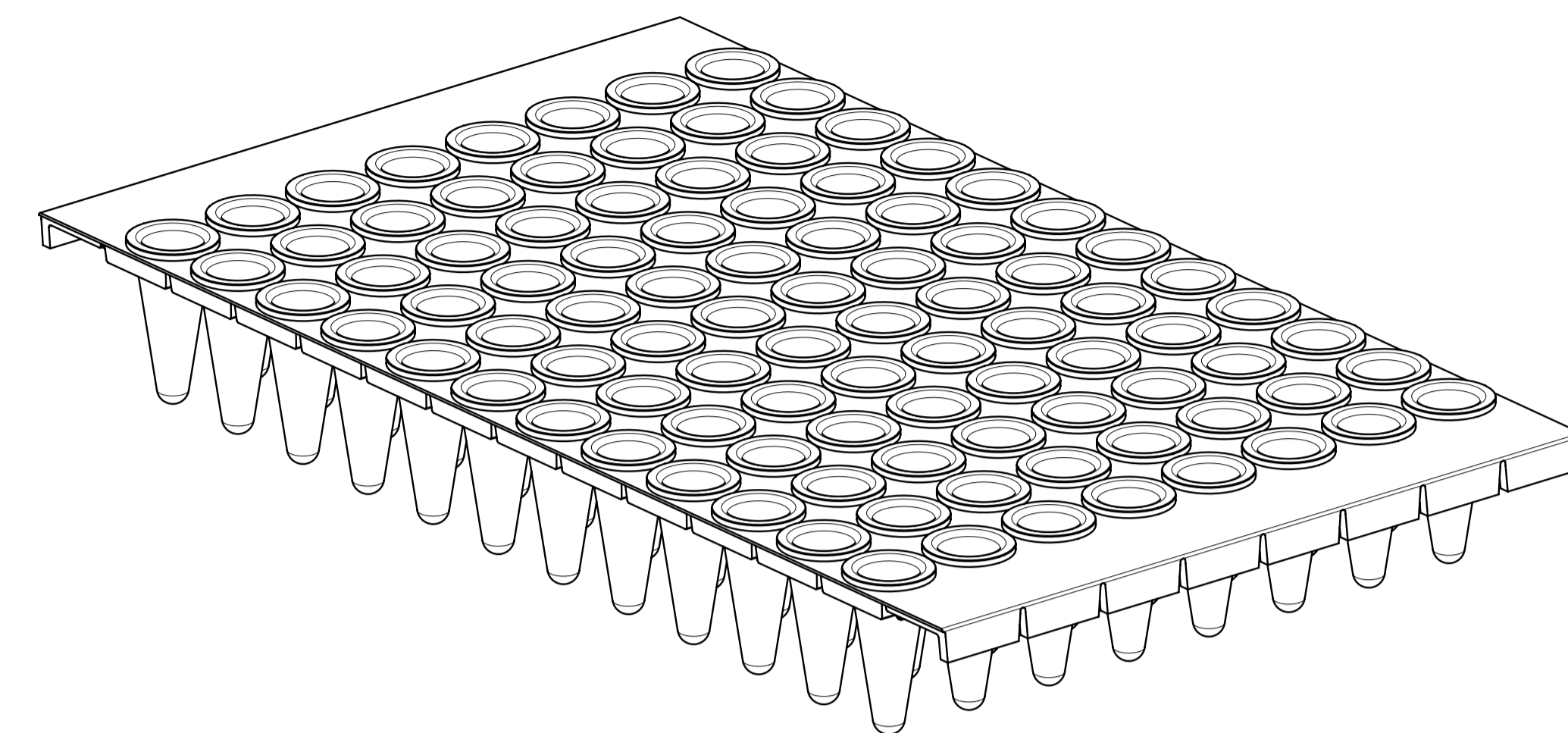
SECTION C-C

SECTION D-D



SECTION A-A

B



DETAIL B
SCALE 10:1

ISSUE	DATE	AMENDMENT
A	25.04.2016	Original drawing

4titude
www.4ti.co.uk

 DO NOT SCALE IF IN DOUBT ASK	CUSTOMER	DRAWN	ZE
	CUSTOMER DRG No.	ISSUE	DATE
MATERIAL: FRAME: Polycarbonate TUBES: Polypropylene		CHECKED	HO
TOLERANCES		DATE	DRAWING No.
GENERAL TOLERANCES (UNLESS OTHERWISE STATED)		SCALE	SHEET No.
0 ± 0.25 0.0 ± 0.20 0.00 ± 0.10 ANGULAR ± 0°30' (ALL DIMENSIONS IN MILLIMETRES)		DATE	ISSUE
			A

TITLE		DRAWING No.	
FrameStar [®] Break2Way Low Profile Two direction grooves Marketing drawing		4ti-1400	
SHEET No.		ISSUE	
1 OF 1		A	